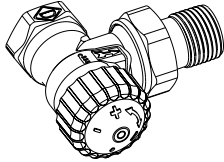
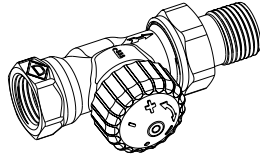


# IMI Heimeier

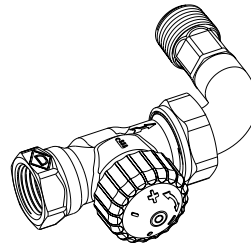
## Eclipse



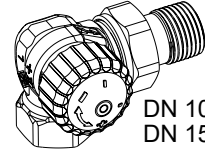
DN 10 3931-01.  
DN 15 3931-02.  
DN 20 3931-03.



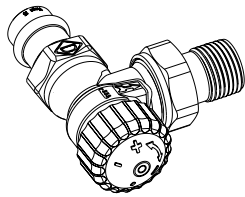
DN 10 3932-01.  
DN 15 3932-02.  
DN 20 3932-03.



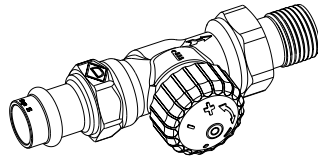
DN 15 3944-02.



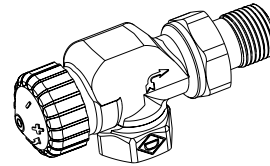
DN 10 3933-01.  
DN 15 3933-02.



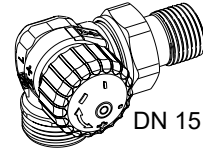
Viega press 15 mm  
DN 15 3941-15.



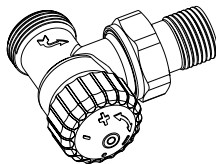
Viega press 15 mm  
DN 15 3942-15.



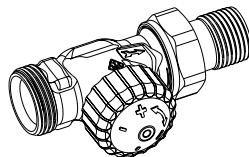
DN 10 3930-01.  
DN 15 3930-02.



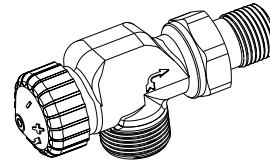
DN 15 3938-02.



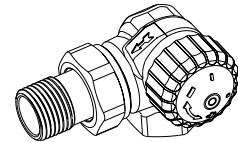
DN 15 3935-02.



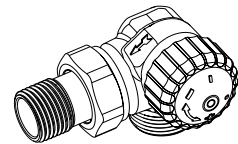
DN 15 3936-02.



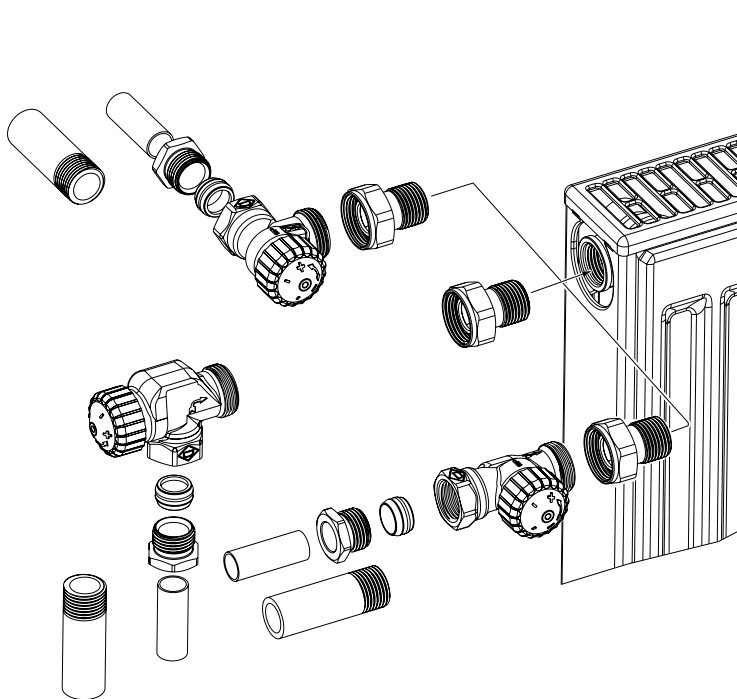
DN 15 3937-02.



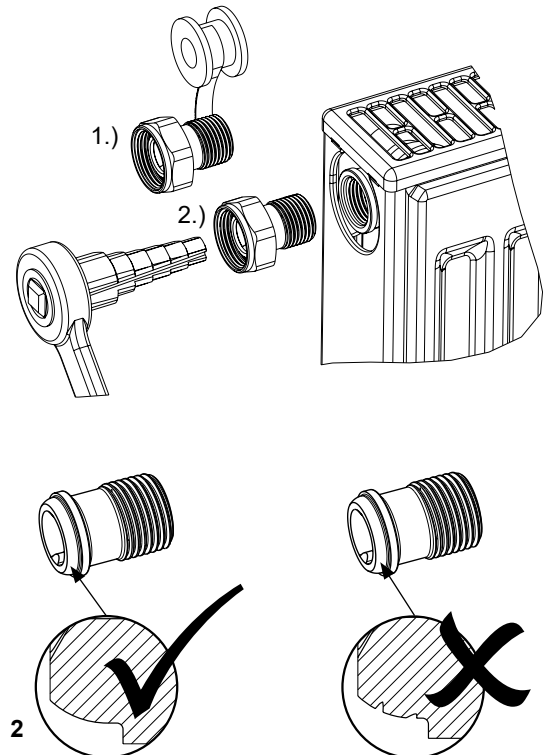
DN 10 3934-01.  
DN 15 3934-02.



DN 15 3939-02.



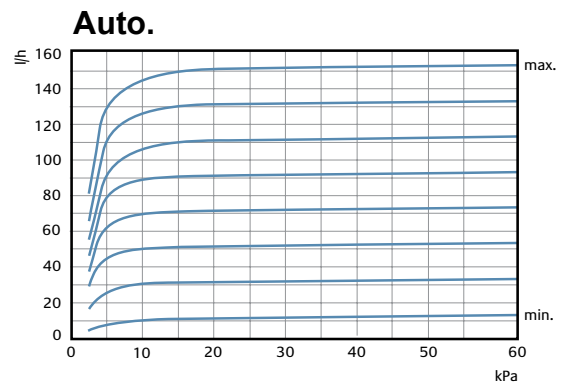
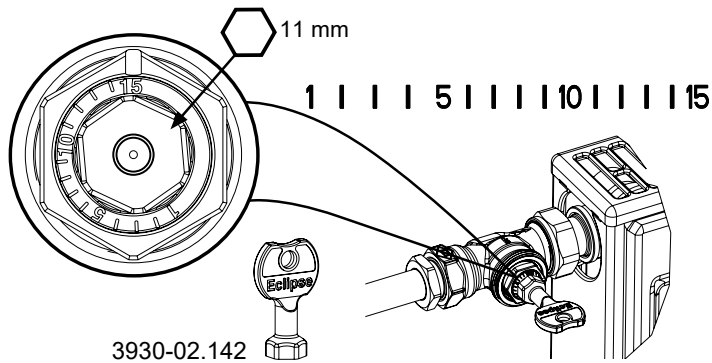
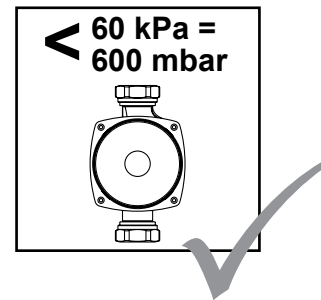
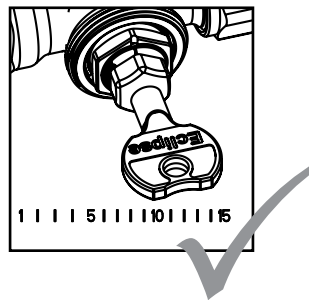
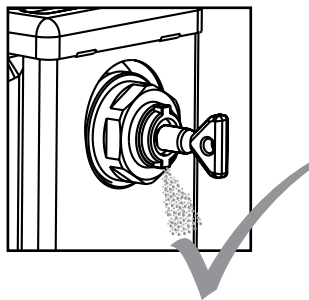
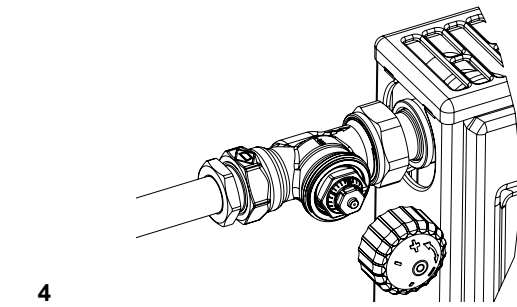
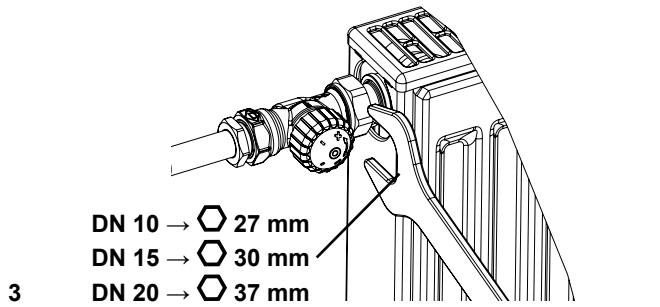
1



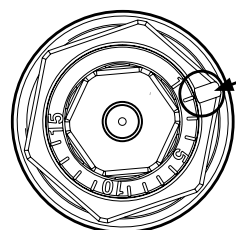
2

*We reserve the right to introduce technical alterations without previous notice.*

# IMI Heimeier



	1				5					10					15
l/h	10	20	30	40	50	60	70	80	90	100	110	120	130	140	150



Q̇ [W]	200	250	300	400	500	600	700	800	900	1000	1200	1400	1600	1800	2000	2200	2400	2600	2800	3000	3200	3400	3600	3800	4000	4800	5300	6500	6800		
Δt [K]																															
10	2	2	3	3	4	5	6	7	8	9	10	12	14	15																	
15	1	1	2	2	3	3	4	5	5	6	7	8	9	10	12	13	14	15													
20	1	1	1	2	2	3	3	3	4	4	5	6	7	8	9	10	10	11	12	13	14	15									
40		1	1	1	1	1	2	2	2	2	3	3	3	4	4	5	5	6	6	7	7	7	8	8	9	10	11	14	15		

Δp min. 10 - 100 l/h = 10 kPa  
 Δp min. 100 - 150 l/h = 15 kPa

We reserve the right to introduce technical alterations without previous notice.